

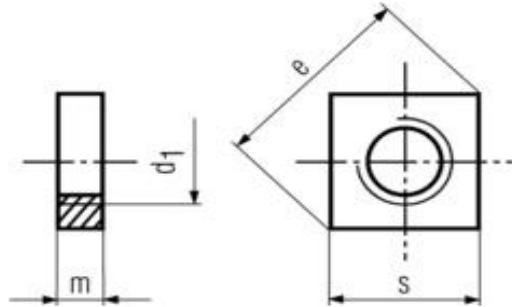
For Reference Only (Customer Information Sheet)

DRAWING NO: RE / 1010 / 2013

NOT TO SCALE

IF IN DOUBT - ASK

TOLERANCE : +/- 0.5 (Unless Specified)



PART NO.	d1	s	e	m
RE-1001-141	M3	5.5	7	1.8
RE-1001-142	M4	7	8.9	2.2
RE-1001-143	M5	8	10.2	2.7
RE-1001-144	M6	10	12.7	3.2
RE-1001-145	M8	13	16.5	4
RE-1001-146	M10	17	21.5	5

NOTES:

- 1) Special Finishes available on request.
- 2) All Dimensions are in mm.
- 3) Most Standard Pitch are available in Nuts.
- 3) Custom Made services are provided.



This Document is property of Rachna Enterprise (India). All rights reserved. Copyright without permission is forbidden.

MATERIAL : Brass
CuZn39Pb3
DRAWING NO:
RE / 1010 / 2013

TITLE:
**BRASS - DIN 562 SQUARE THIN
NUTS**

For Enquiry: Email: info@rachnabrass.com | export@rachnabrass.com

Website: www.rachnabrass.com