

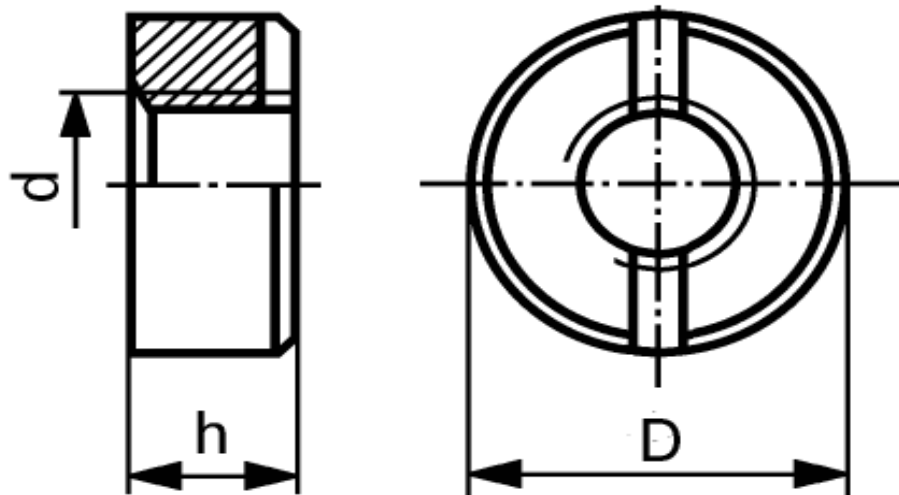
For Reference Only (Customer Information Sheet)

DRAWING NO: RE / 1004 / 2013

NOT TO SCALE

IF IN DOUBT - ASK

TOLERANCE : + /- 0.5 (Unless Specified)



PART NO.	d1	S	e	m
RE-1001-71	M3	2.5	2.72	0.8
RE-1001-72	M3.5	4	4.32	1.6
RE-1001-73	M4	5	5.45	2
RE-1001-74	M5	5.5	6.01	2.4
RE-1001-75	M6	6	6.01	2.8
RE-1001-76	M8	7	7.66	3.2
RE-1001-77	M10	8	8.76	4
RE-1001-78	M6	10	11.05	5
RE-1001-79	M7	11	12.12	5.5
RE-1001-80	M8	13	13.48	6.5
RE-1001-81	M10	17	18	8

NOTES:

- 1) Special Finishes available on request.
- 2) All Dimensions are in mm.
- 3) Most Standard Pitch are available in Nuts.
- 3) Custom Made services are provided.



**RACHNA
ENTERPRISE**

(An ISO 9001:2008 Certified Company)

This Document is property of Rachna Enterprise (India). All rights reserved. Copyright without permission is forbidden.

MATERIAL : Brass

CuZn39Pb3

DRAWING NO:

RE / 1004 / 2013

TITLE:

**BRASS - DIN 546 SLOTTED
ROUND NUT**

For Enquiry: Email: info@rachnabrass.com | export@rachnabrass.com

Website: www.rachnabrass.com