

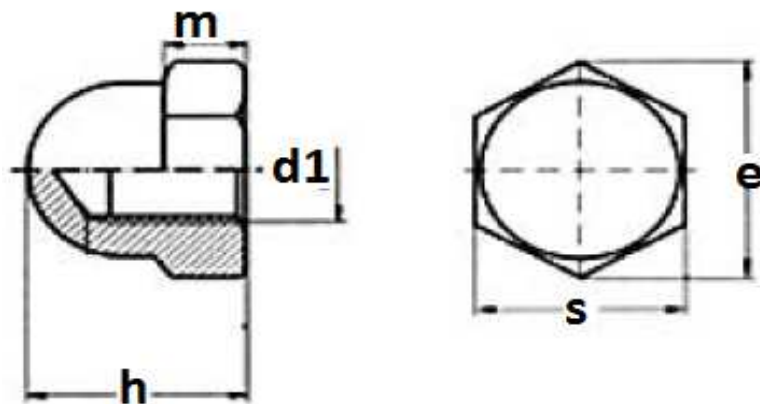
For Reference Only (Customer Information Sheet)

DRAWING NO: RE / 1003 / 2013

NOT TO SCALE

IF IN DOUBT - ASK

TOLERANCE : + /- 0.5 (Unless Specified)



PART NO.	d1	S	e	m
RE-1001-31	M3	2.5	2.72	0.8
RE-1001-32	M4	4	4.32	1.6
RE-1001-33	M5	5	5.45	2
RE-1001-34	M6	5.5	6.01	2.4
RE-1001-35	M7	6	6.01	2.8
RE-1001-36	M8	7	7.66	3.2
RE-1001-37	M10	8	8.76	4
RE-1001-38	M12	10	11.05	5
RE-1001-39	M14	11	12.12	5.5
RE-1001-40	M16	13	13.48	6.5
RE-1001-41	M18	17	18	8
RE-1001-42	M20	19	21.1	10
RE-1001-43	M22	22	24.49	11
RE-1001-44	M24	24	26.75	13
RE-1001-45	M18	27	29.56	15

NOTES:

- 1) Special Finishes available on request.
- 2) All Dimensions are in mm.
- 3) Most Standard Pitch are available in Nuts.
- 3) Custom Made services are provided.



(An ISO 9001:2008 Certified Company)

This Document is property of Rachna Enterprise (India). All rights reserved. Copyright without permission is forbidden.

MATERIAL : Brass

CuZn39Pb3

DRAWING NO:

RE / 1003 / 2013

TITLE: (Acron Nuts)

**BRASS DIN 1587 CAP NUT
/DOME NUT**

For Enquiry: Email: info@rachnabrass.com | export@rachnabrass.com

Website: www.rachnabrass.com