

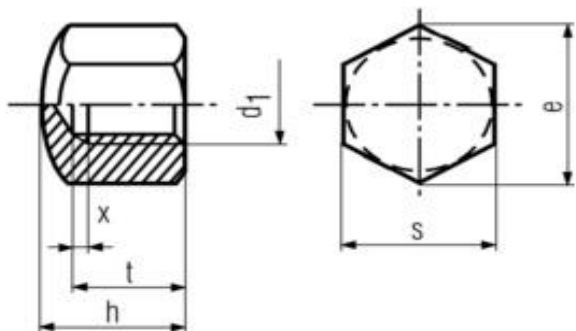
## For Reference Only (Customer Information Sheet)

DRAWING NO: RE / 1011 / 2013

NOT TO SCALE

IF IN DOUBT - ASK

TOLERANCE : +/- 0.5 (Unless Specified)



PART NO.	d1	e min.	h	s	t min.	t max.
RE-1001-151	M3	6.08	5	5.5	3	3.4
RE-1001-152	M4	7.66	5.5	7	4.16	4.64
RE-1001-153	M5	8.79	7	8	4.96	5.44
RE-1001-154	M6	11.05	9	10	6.71	7.29
RE-1001-155	M8	14.38	12	13	9.21	9.79
RE-1001-156	M10	18.9	14	16	10.65	11.35
RE-1001-157	M12	21.1	16	18	13.15	13.85
RE-1001-158	M16	26.75	20	24	16.65	17.35
RE-1001-159	M20	32.95	25	30	20.58	21.42
RE-1001-160	M24	39.55	30	36	23.58	24.42

**NOTES:**

- 1) Special Finishes available on request.
- 2) All Dimensions are in mm.
- 3) Most Standard Pitch are available in Nuts.
- 3) Custom Made services are provided.



(An ISO 9001:2008 Certified Company)

This Document is property of Rachna Enterprise (India). All rights reserved. Copyright without permission is forbidden.

**MATERIAL :** Brass  
CuZn39Pb3  
**DRAWING NO:**  
RE / 1011 / 2013

**TITLE:**  
**BRASS -DIN 917 HEXAGON  
CAP NUTS -LOW PATTERN**

For Enquiry: Email: [info@rachnabrass.com](mailto:info@rachnabrass.com) | [export@rachnabrass.com](mailto:export@rachnabrass.com)

Website: [www.rachnabrass.com](http://www.rachnabrass.com)